

CURRENT TRANSFORMERS

Models 9CSFL & 9CRL

Window Diameter 0.64"

APPLICATION:

With ammeters, energy management systems, and instrumentation.

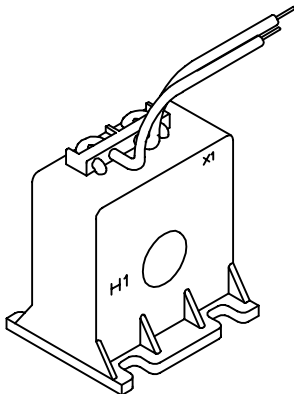
FREQUENCY:

50-400 Hz.

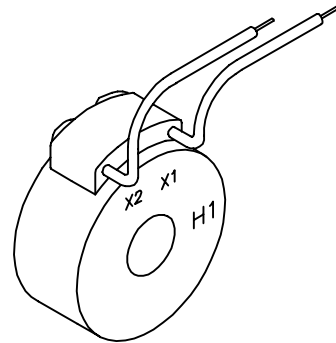
INSULATION LEVEL:

600 Volts, 10 kV BIL full wave.

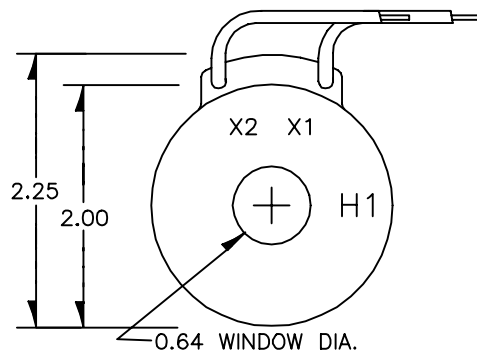
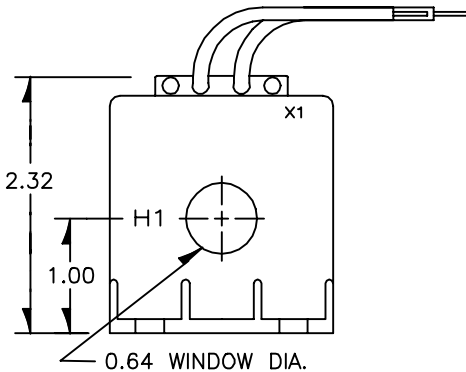
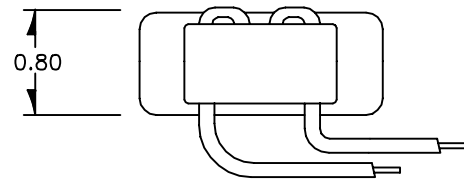
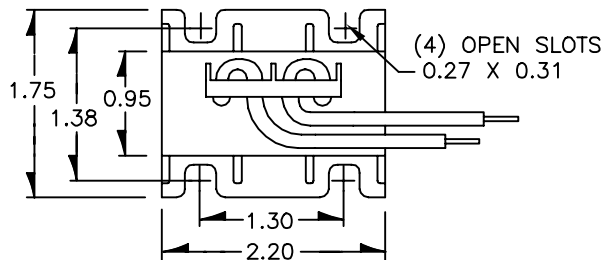
- Flexible leads are UL 1015 105 ° C, CSA approved, #16 AWG, 24" long.
- Non-standard length to be specified.
- 1 Amp. and other secondary currents available upon request.
- Approximate weight: 0.6 lb.



Model 9CSFL



Model 9CRL



CATALOG NUMBER	CURRENT RATIO	ACCURACY AT 60 Hz	BURDEN VA AT 60 Hz
9*-500	50:5	± 2 %	1.0
9*-600	60:5	± 2 %	1.0
9*-750	75:5	± 2 %	1.0
9*-800	80:5	± 2 %	1.5
9*-101	100:5	± 2 %	2.5
9*-121	120:5	± 2 %	3.0
9*-1250	125:5	± 2 %	3.0
9*-151	150:5	± 2 %	3.0
9*-201	200:5	± 2 %	4.0

* NOTE: When ordering, prefix Cat. No. with model designation required, i.e. 9CRL-201.