

CURRENT TRANSFORMERS

Model 3

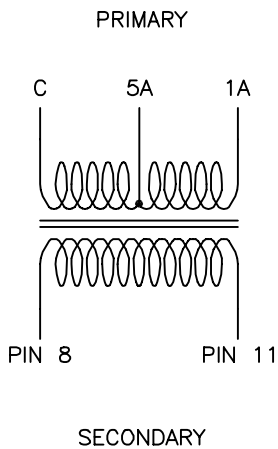
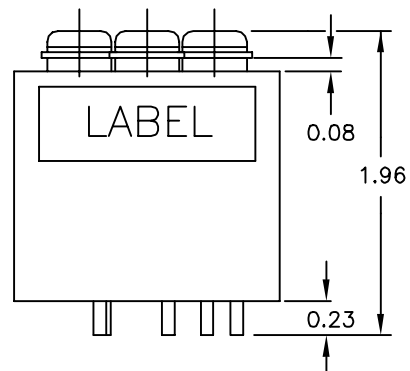
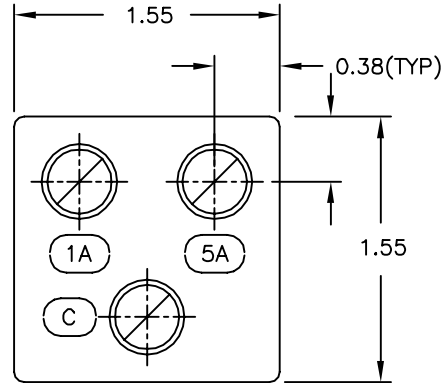
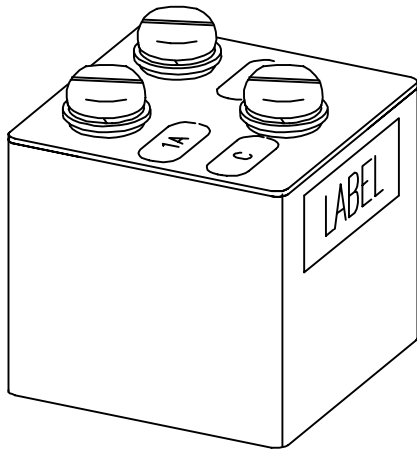
APPLICATION:
Current sensor

FREQUENCY:
60 Hz.

INSULATION LEVEL:
1.5 kV/1 min. test.

CURRENT RATIOS:
1:0.011 A.
5:0.011 A.

- Primary terminals are #10-32 brass screws w/ one flatwasher and lockwasher.
- Secondary connections are tinned, 0.041 dia. pins.
- Unit is suitable for use with primary currents up to 5 amps.
- Approximate weight: 0.4 lb.



PINS 2, 4 AND 6 ARE DUMMY PINS FOR MOUNTING PURPOSES ONLY.

